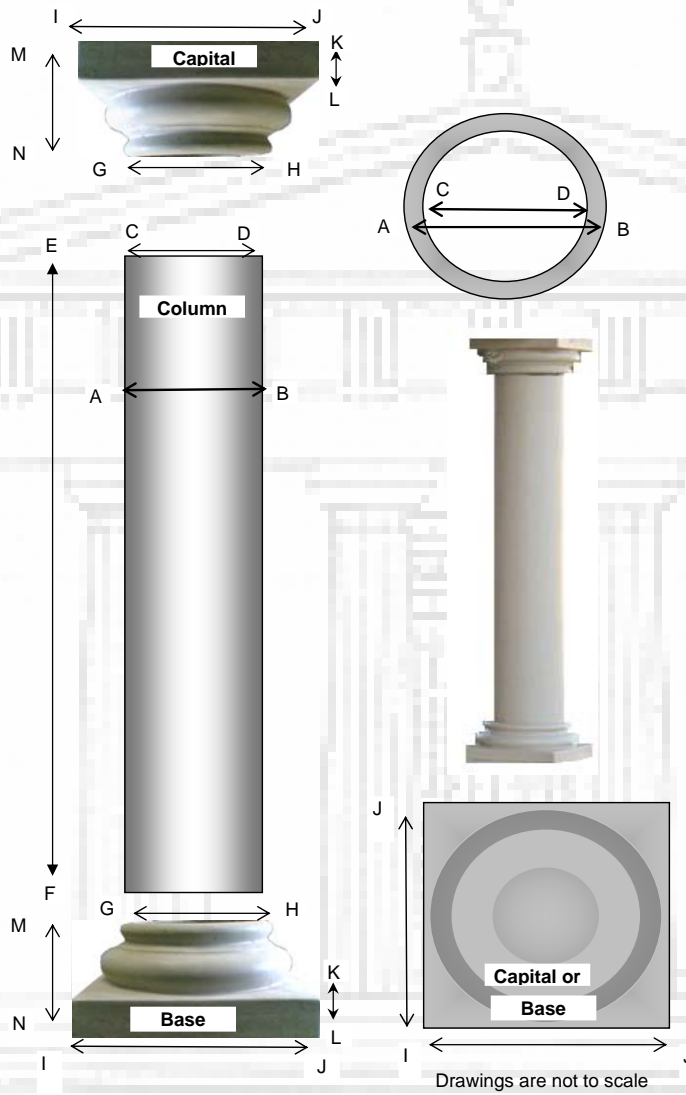


EAST COAST COLUMNS AND MOULDINGS

Columns, Capitals and Bases



Column	AB	CD	EF	Base or Capital	GH	IJ	KL	MN
RC/230/2100	230	190	2100	CAP/B230	240	390	70	190
RC/230/2400	230	190	2400	CAP/B230	240	390	70	190
RC/230/2700	230	190	2700	CAP/B230	240	390	70	190
RC/230/3000	230	190	3000	CAP/B230	240	390	70	190
RC/300/2100	300	260	2100	CAP/B300	310	430	70	190
RC/300/2400	300	260	2400	CAP/B300	310	430	70	190
RC/300/2700	300	260	2700	CAP/B300	310	430	70	190
RC/300/3000	300	260	3000	CAP/B300	310	430	70	190
RC/350/2100	350	310	2100	CAP/B350	360	500	80	230
RC/350/2400	350	310	2400	CAP/B350	360	500	80	230
RC/350/2700	350	310	2700	CAP/B350	360	500	80	230
RC/350/3000	350	310	3000	CAP/B350	360	500	80	230
RC/400/2500	400	360	2500	CAP/B400	410	490	90	200
RC/450/2500	450	410	2500	CAP/B450	460	640	90	230
RC/600/2500	600	550	2500	CAP/B600	610	790	90	260