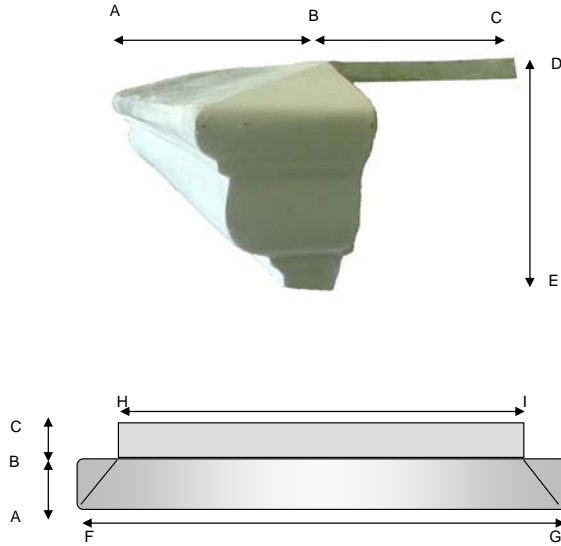


EAST COAST COLUMNS AND MOULDINGS

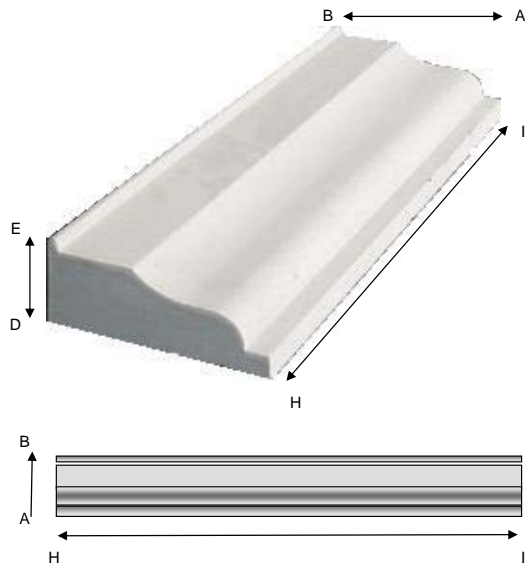
Windowsills

Bali Windowsill (Front mount with sill return)



Sill Ref	A-B	B-C	D-E	F-G	H-I
BWS / 600	100	120	145	780	600
BWS / 900	100	120	145	1,080	900
BWS / 1200	100	120	145	1,380	1,200
BWS / 1500	100	120	145	1,680	1,500

Tuscan Windowsill (Top mount with window ridge)



Sill Ref	A-B	D-E	H-I
TWS / 300	195	70	300
TWS / 600	195	70	600
TWS / 900	195	70	900
TWS / 1200	195	70	1,200
TWS / 1500	195	70	1,500